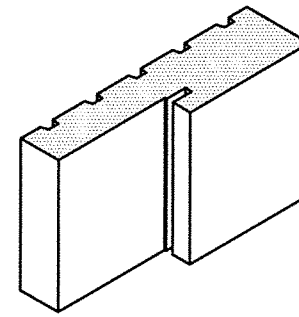


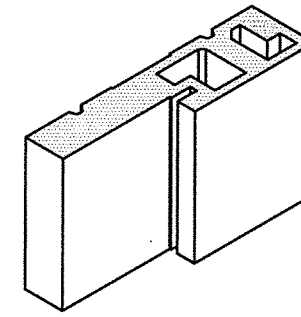
WORLDWIDE Door Components

5017 N. Coolidge
Tampa, FL 33614

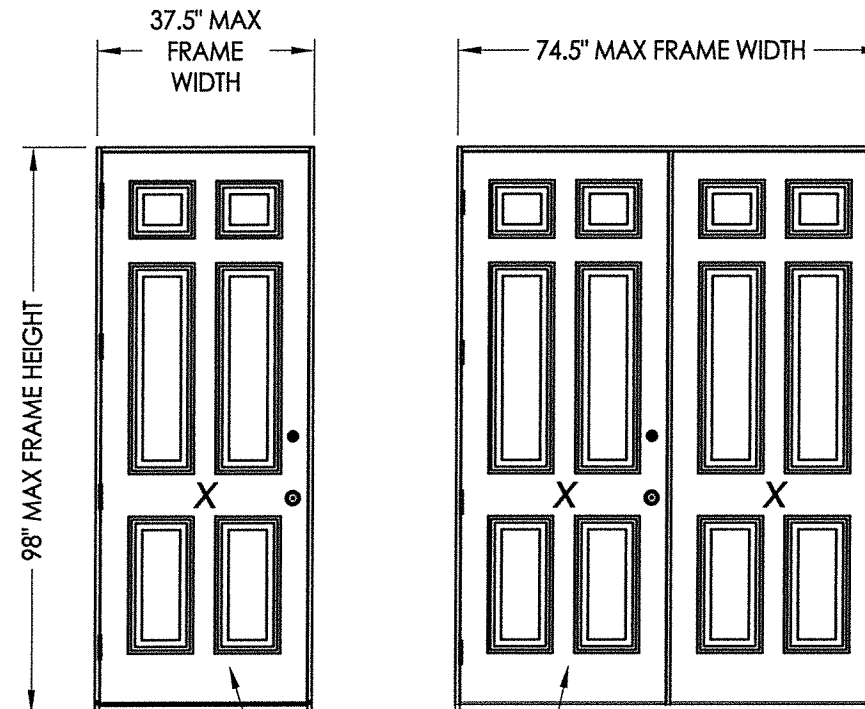
"4Ever Frame" COMPOSITE DOOR JAMB INSWING / OUTSWING "IMPACT"



4Ever Frame



4Ever Frame
"Composite Builders Edition"

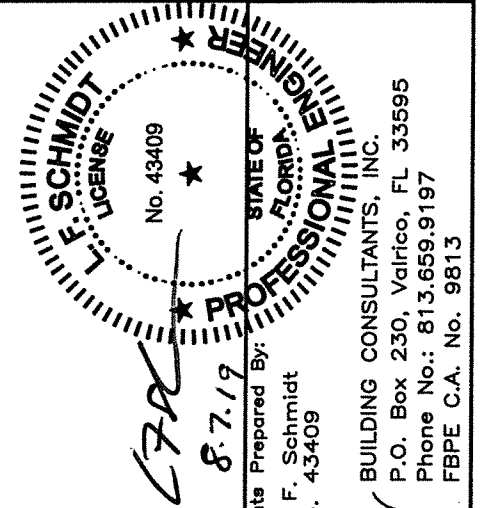


GENERAL NOTES

1. This product has been evaluated and is in compliance with the 6th Edition (2017) Florida Building Code (FBC) structural requirements excluding the "High Velocity Hurricane Zone" (HVHZ).
2. Product anchors shall be as listed and spaced as shown on details. Anchor embedment to base material shall be beyond wall dressing or stucco.
3. When used in areas requiring wind borne debris protection this product complies with FBC Sections 1609.1.2 & R301.2.1.2 and does not require an impact resistant covering. This product meets missile level "D" and includes Wind Zone 4 as defined in ASTM E1996 and FBC Sections 1609.1.2.2 & R301.2.1.2.1.
4. This "IMPACT" door jamb, as a component, is to be used as a substitute to a similar door jamb in an impact approved (complies with FBC Sections 1609.1.2 & R301.2.1.2) door system possessing a current Florida Statewide Product Approval.
5. The design pressure of the assembly shall be the lesser of the design pressure for the door jamb shown in this approval or the design pressure of the door assembly used in conjunction with this approval.
6. The maximum frame size of the door assembly shall be lesser of the maximum frame size stated in this approval or the maximum frame size of the door assembly approval used in conjunction with this approval.
7. For 2x stud framing construction, anchoring of these units shall be the same as that shown for 2x buck masonry construction.
8. Site conditions that deviate from the details of this drawing require further engineering analysis by a licensed engineer or registered architect.

TABLE OF CONTENTS	
SHEET #	DESCRIPTION
1	Typical elevations, design pressures & general notes
2	Elevations
3	Horizontal cross sections
4	Vertical cross sections
5	Buck and frame anchoring
6	Buck and frame anchoring
7	Bill of materials and components

CONFIGURATION	MAX. FRAME DIMENSION	DESIGN PRESSURE (PSF) INSWING		DESIGN PRESSURE (PSF) OUTSWING	
		POSITIVE	NEGATIVE	POSITIVE	NEGATIVE
X	37.5" x 98.0"	+60.0	-65.0	+60.0	-60.0
XX	74.5" x 98.0"	+50.0	-55.0	+50.0	-50.0



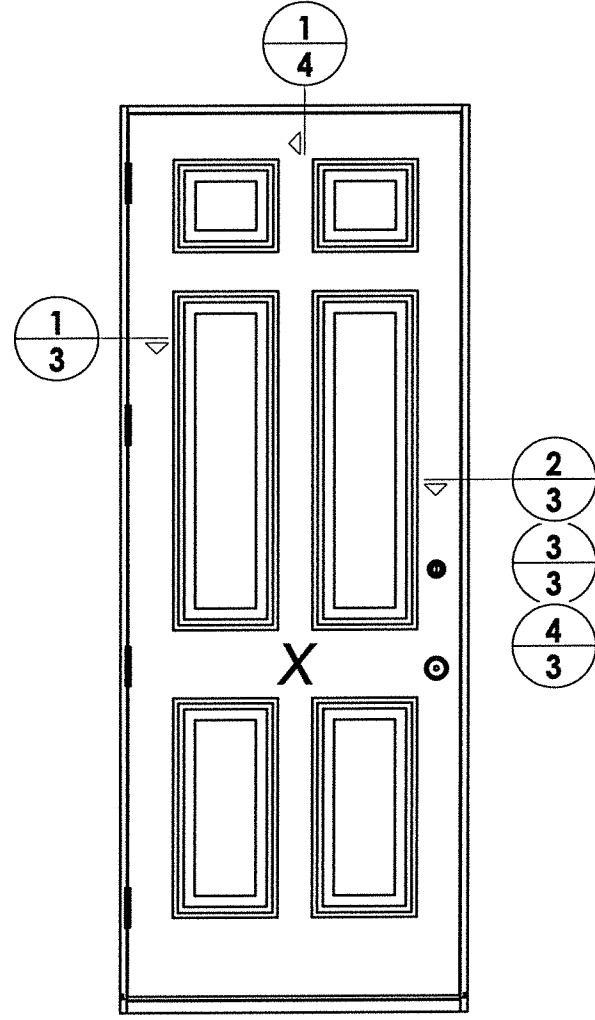
Documents Prepared By:
Lyndon F. Schmidt
P.E. No. 43409

RW BUILDING CONSULTANTS, INC.
P.O. Box 230, Valrico, FL 33595
Phone No.: 813.659.9197
FBPE C.A. No. 9813

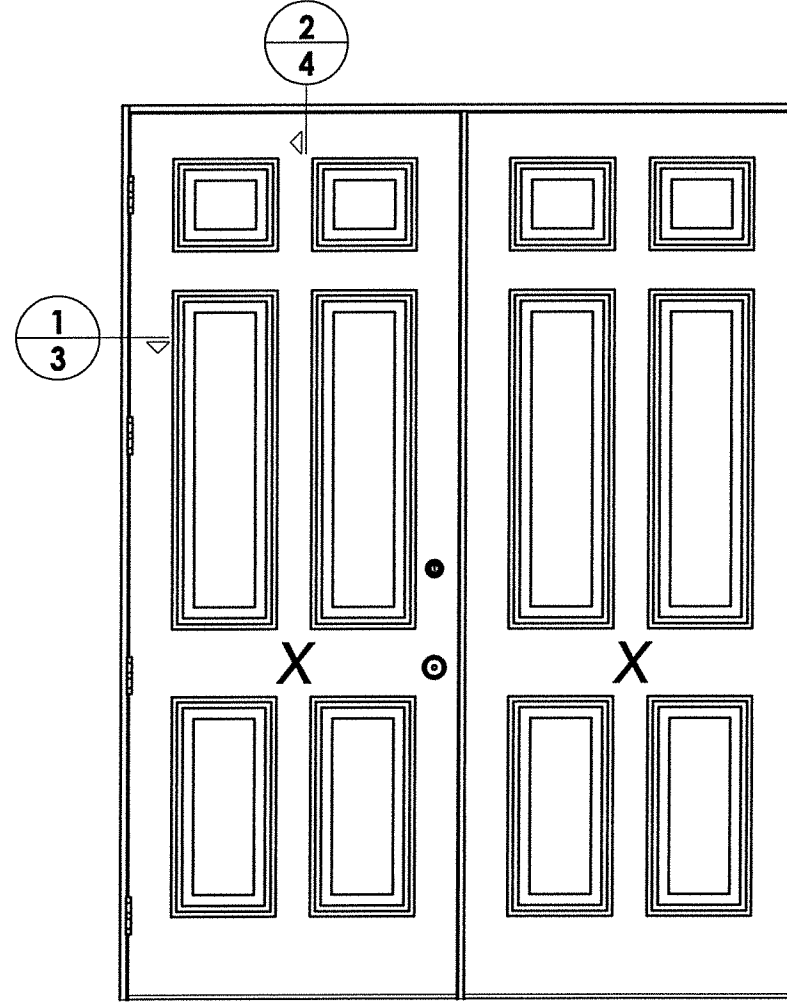
PRODUCT: WORLDWIDE DOOR COMPONENTS
PART OR ASSEMBLY: TYPICAL ELEVATION, DESIGN PRESSURES & GENERAL NOTES

NO.	DATE	REVISIONS
5	7/24/19	ADD COMP. BUILDERS ED. FRAME
4	12/17/18	REVISED GENERAL NOTES
3	9/22/17	UPDATE TO 6TH ED. (2017) FBC
2	2/07/17	REVISE 4EVER JAMB SECTION
1	2/23/15	UPDATE TO 5TH ED. (2014) FBC

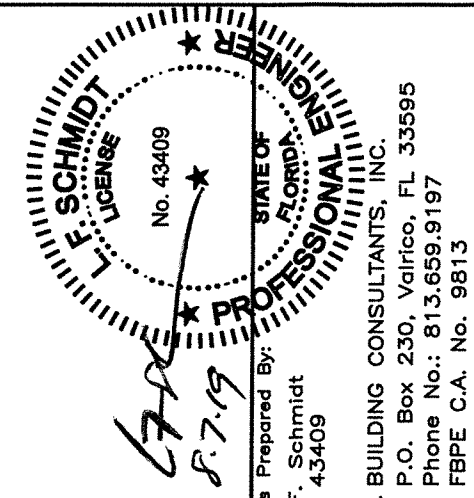
DATE: 11/07/11
SCALE: N.T.S.
DWG. BY: JK
CHK. BY: LFS
DRAWING NO.: FL-14969.1
SHEET 1 OF 7



SINGLE DOOR ELEVATION



DOUBLE DOOR ELEVATION

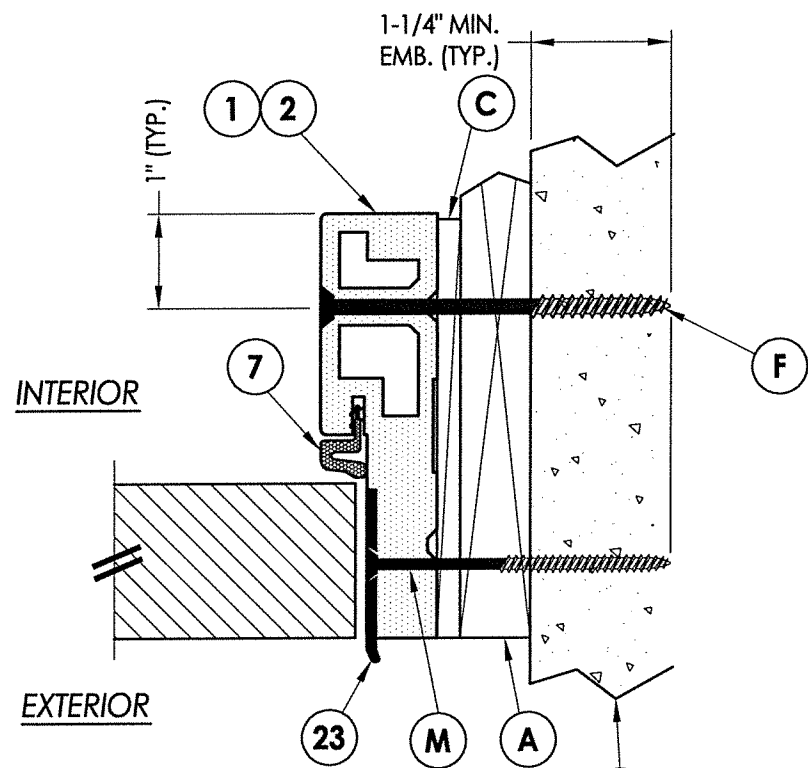

 L.F. SCHMIDT
 LICENSE No. 43409
 STATE OF FLORIDA
 PROFESSIONAL ENGINEER

Documents Prepared By:
 Lyndon F. Schmidt
 P.E. No. 43409
 BUILDING CONSULTANTS, INC.
 P.O. Box 230, Vairico, FL 33595
 Phone No.: 813.659.9197
 FBPE C.A. No. 9813

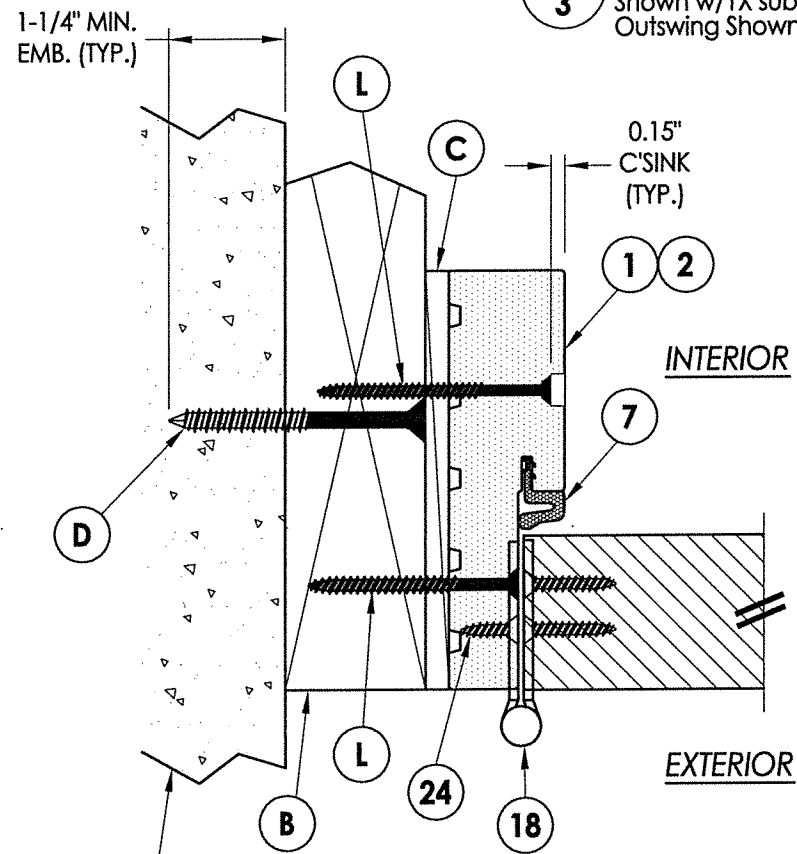
PRODUCT: WORLDWIDE DOOR COMPONENTS
 PART OR ASSEMBLY: ELEVATIONS

NO.	DATE	REVISIONS	BY
5	7/24/19	ADD COMP. BUILDERS ED. FRAME	LFS
4	12/17/18	REVISED GENERAL NOTES	LFS
3	9/22/17	UPDATE TO 6TH ED. (2017) FBC	LFS
2	2/07/17	REVISE 4EVER JAMB SECTION	LFS
1	2/23/15	UPDATE TO 5TH ED. (2014) FBC	LFS

DATE: 11/07/11
 SCALE: N.T.S.
 DWG. BY: JK
 CHK. BY: LFS
 DRAWING NO.: FL-14969.1
 SHEET 2 OF 7

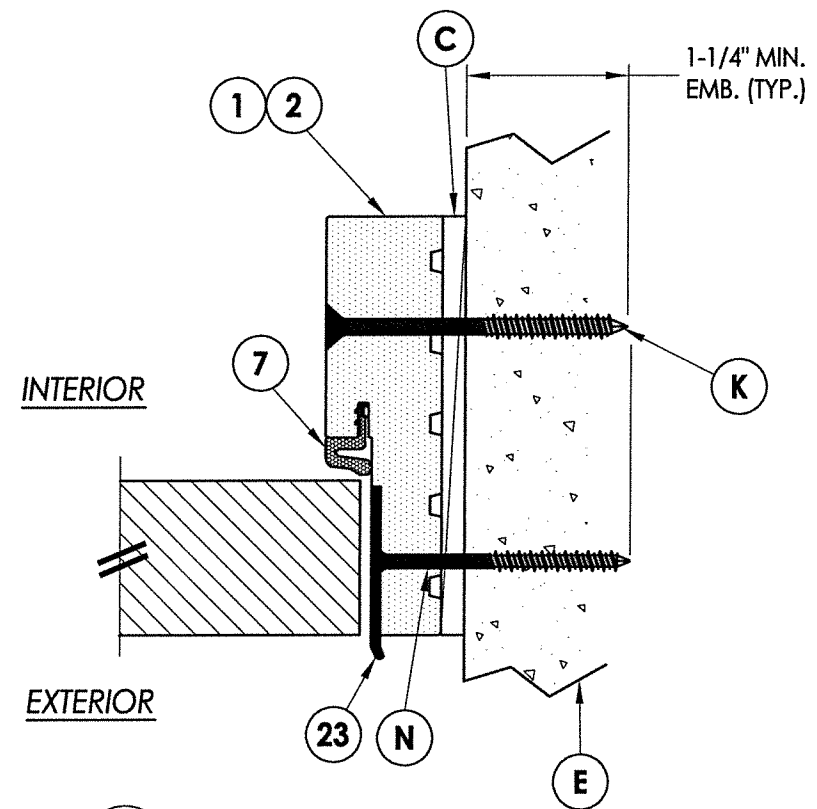


2 HORIZONTAL CROSS SECTION
3 Shown w/1X sub-buck
 Outswing Shown (Inswing Similar)

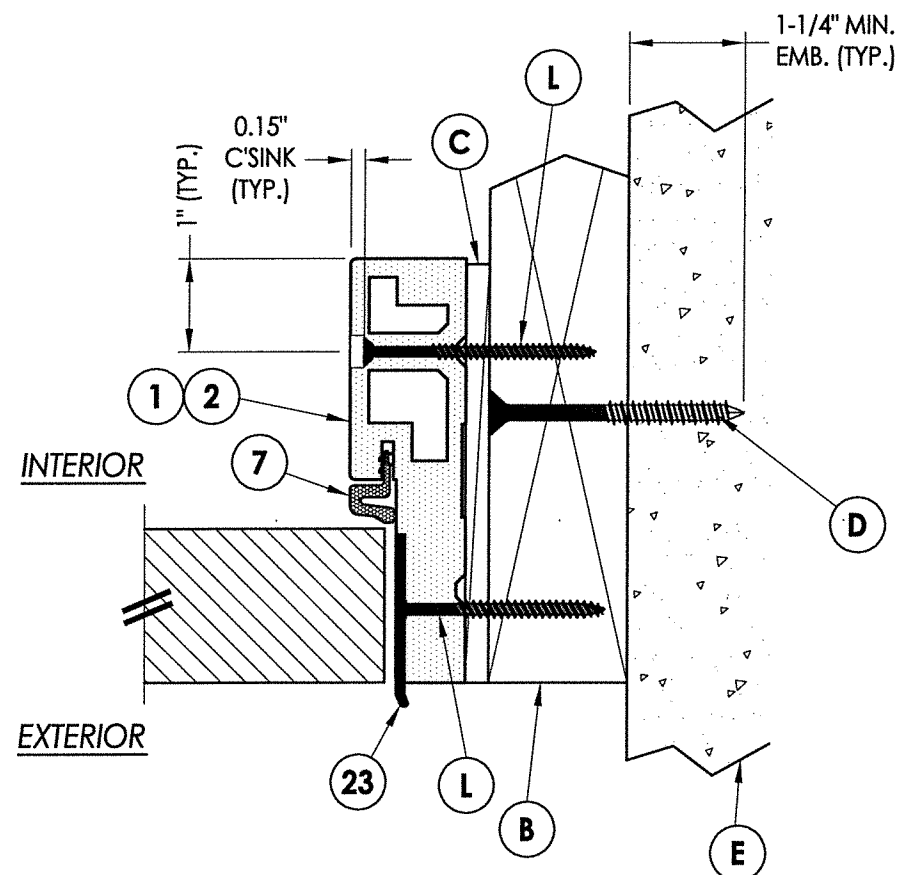


1 HORIZONTAL CROSS SECTION
3 2X Buck Construction
 Outswing Shown (Inswing Similar)

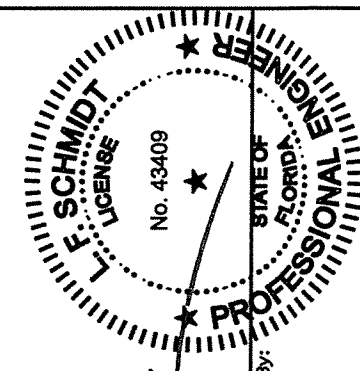
Note:
 See separate Side-Hinged Door Product Approval for door construction details not shown, including lock hardware, astragal, hinge and threshold connections.



3 HORIZONTAL CROSS SECTION
3 Shown Direct to masonry
 Outswing Shown (Inswing Similar)



4 HORIZONTAL CROSS SECTION
3 2X Buck Construction
 Outswing Shown (Inswing Similar)



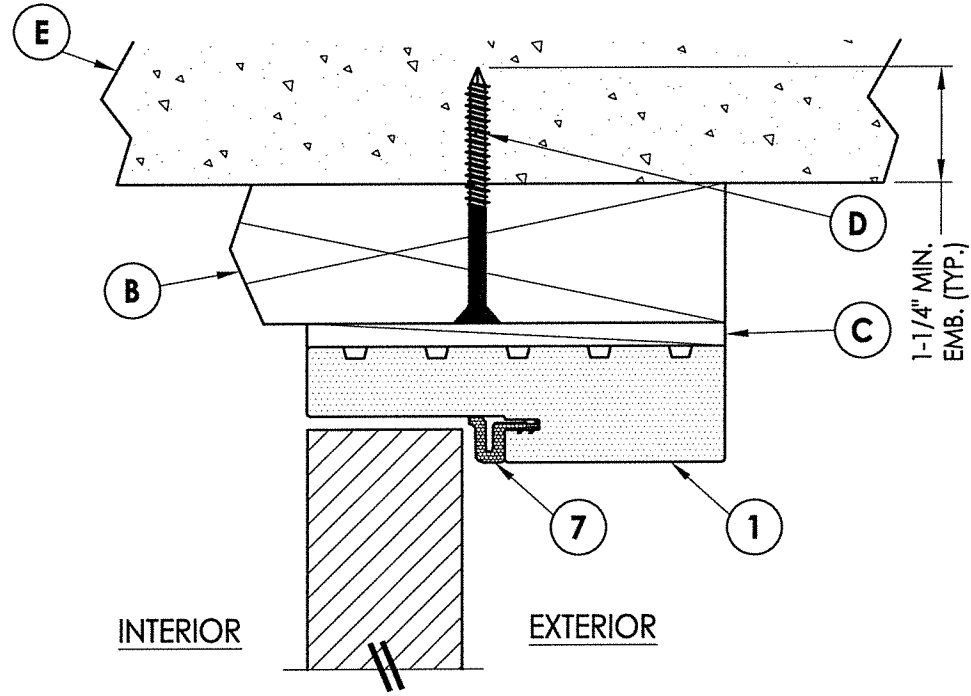
679
 8.7.19

Documents Prepared By:
 Lyndon F. Schmidt
 P.E. No. 43409
 R.W. BUILDING CONSULTANTS, INC.
 P.O. Box 230, Valrico, FL 33595
 Phone No.: 813.659.9197
 FBPE C.A. No. 9813

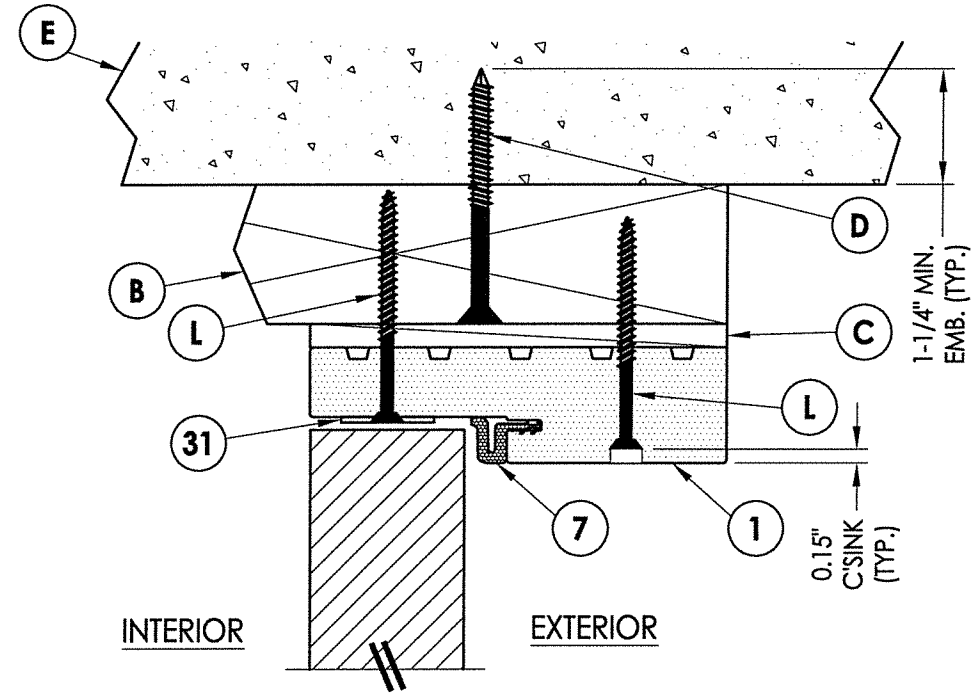
PRODUCT: WORLDWIDE DOOR COMPONENTS
 PART OR ASSEMBLY: HORIZONTAL CROSS SECTIONS

NO.	DATE	REVISIONS	BY
5	7/24/19	ADD COMP. BUILDERS ED. FRAME	LFS
4	12/17/18	REVISED GENERAL NOTES	LFS
3	9/22/17	UPDATE TO 6TH ED. (2017) FBC	LFS
2	2/07/17	REVISE 4EVER JAMB SECTION	LFS
1	2/23/15	UPDATE TO 5TH ED. (2014) FBC	LFS

DATE: 11/07/11
 SCALE: N.T.S.
 DWG. BY: JK
 CHK. BY: LFS
 DRAWING NO.: FL-14969.1
 SHEET 3 OF 7

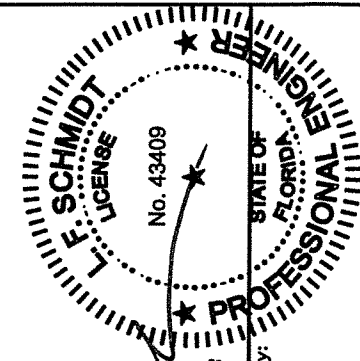


1 VERTICAL CROSS SECTION
4 2X Buck Construction- Single door
 Inswing Shown (Outswing Similar)



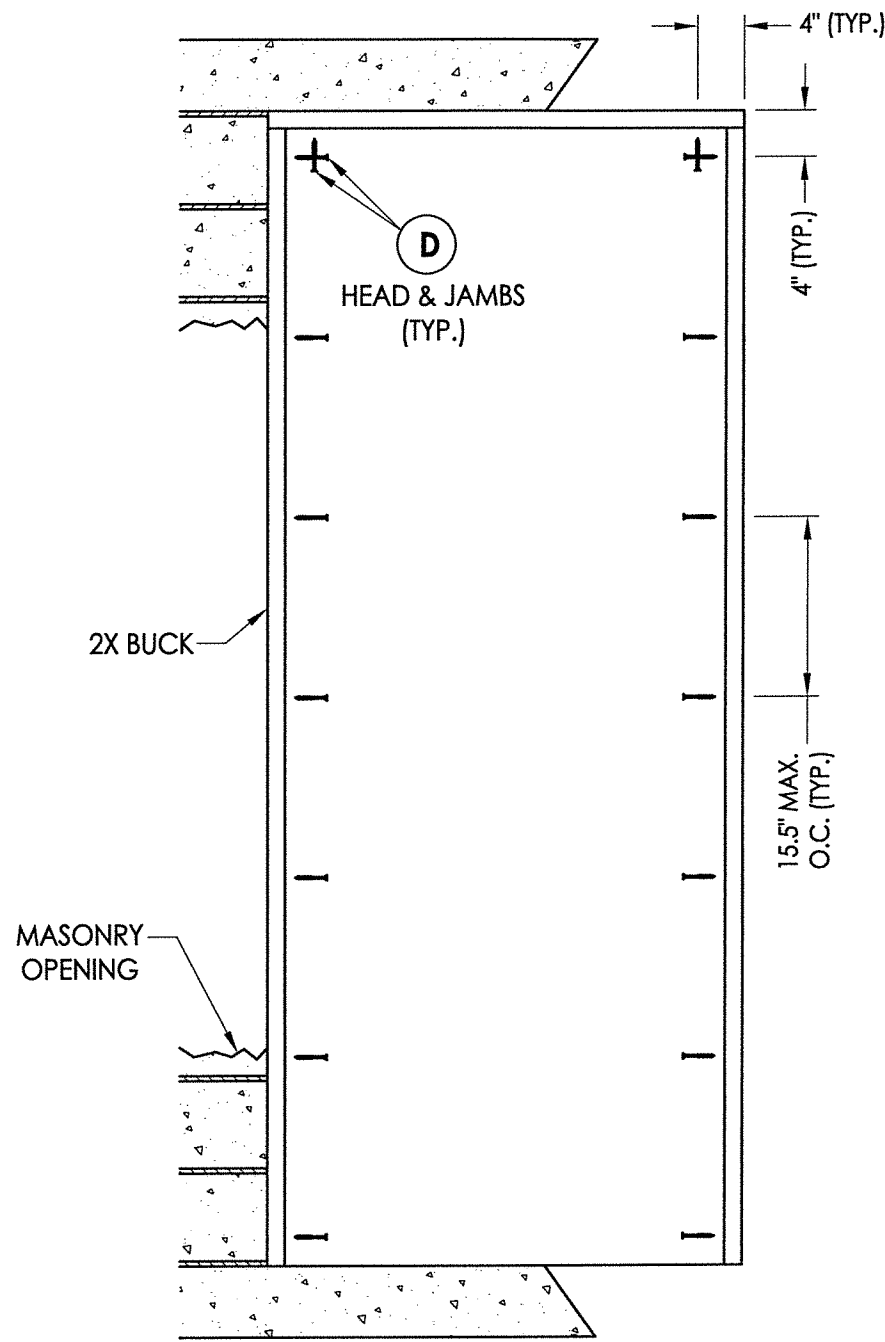
2 VERTICAL CROSS SECTION
4 2X Buck Construction- Double door
 Inswing Shown (Outswing Similar)

Note:
 See separate Side-Hinged Door Product Approval for door construction details not shown, including lock hardware, astragal, hinge and threshold connections.

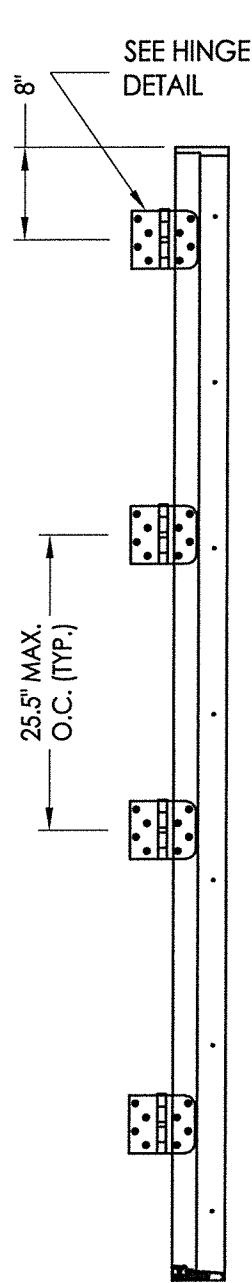


Documents Prepared By:
 Lyndon F. Schmidt
 P.E. No. 43409
 R.W. BUILDING CONSULTANTS, INC.
 P.O. Box 230, Vairco, FL 33595
 Phone No.: 813.659.9197
 FBPE C.A. No. 9813

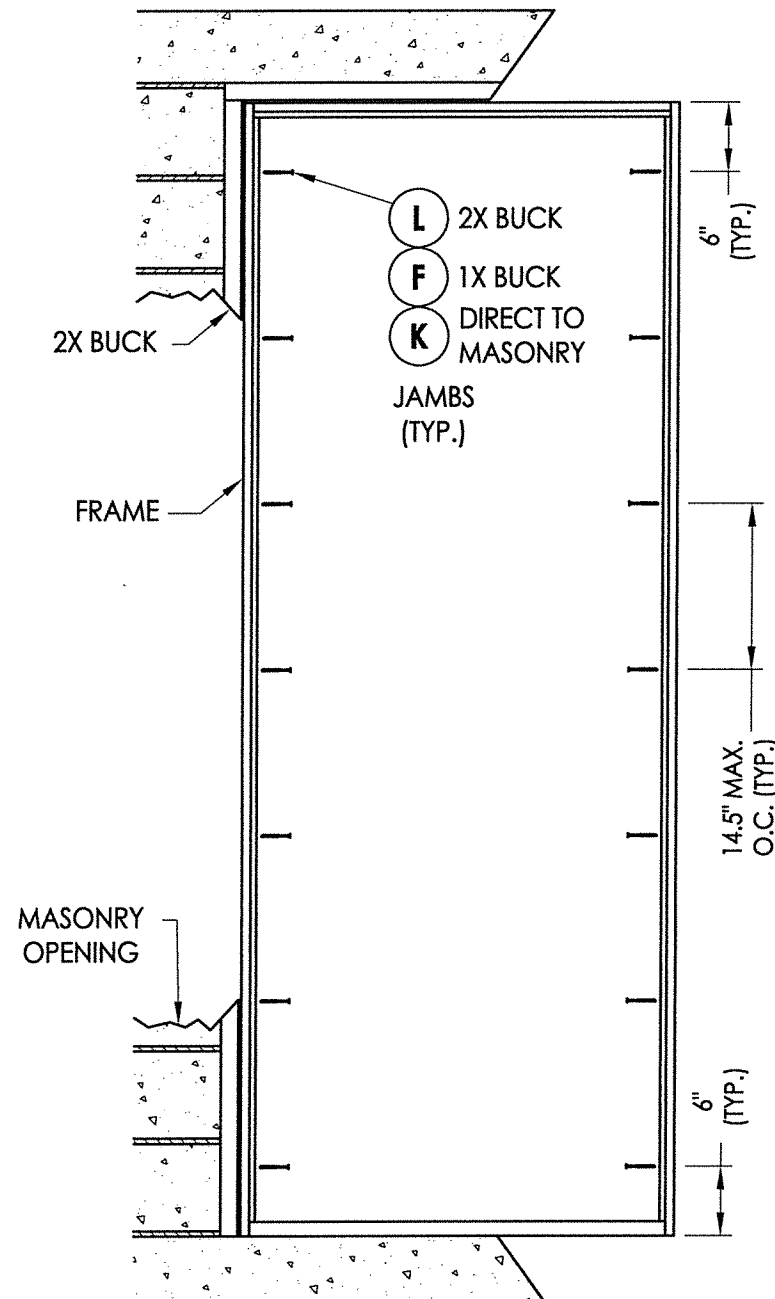
PRODUCT:		WORLDWIDE DOOR COMPONENTS	
PART OR ASSEMBLY:		VERTICAL CROSS SECTIONS	
5	7/24/19	ADD COMP. BUILDERS ED. FRAME	LFS
4	12/17/18	REVISED GENERAL NOTES	LFS
3	9/22/17	UPDATE TO 6TH ED. (2017) FBC	LFS
2	2/07/17	REVISE 4EVER JAMB SECTION	LFS
1	2/23/15	UPDATE TO 5TH ED. (2014) FBC	LFS
	NO. DATE		BY
REVISIONS			
DATE: 11/07/11			
SCALE: N.T.S.			
DWG. BY: JK			
CHK. BY: LFS			
DRAWING NO.: FL-14969.1			
SHEET 4 OF 7			



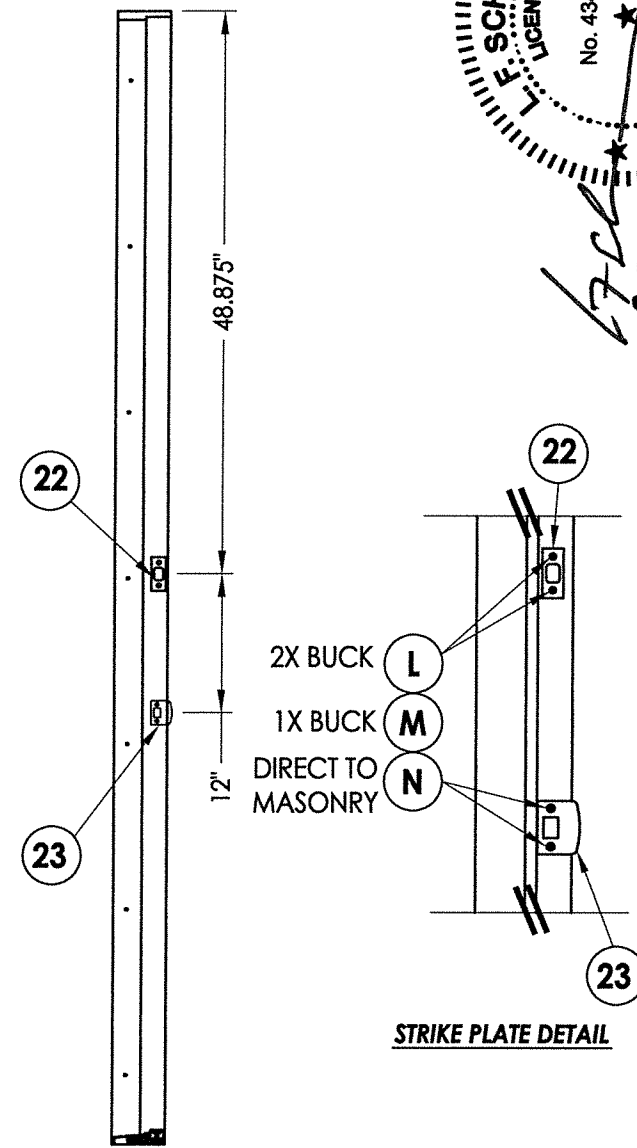
BUCK ANCHORING



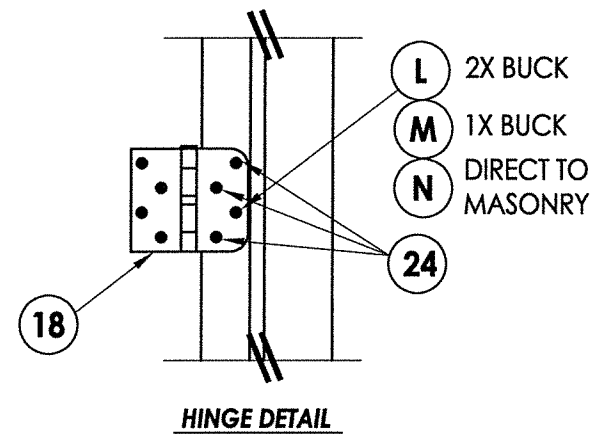
HINGE JAMB



FRAME ANCHORING
Masonry construction



STRIKE JAMB



HINGE DETAIL

STRIKE PLATE DETAIL

Note:
See separate Side-Hinged Door Product Approval for door construction details not shown, including lock hardware, astragal, hinge and threshold connections.

CONCRETE ANCHOR NOTES:

- Concrete anchor locations at the corners may be adjusted to maintain the min. edge distance to mortar joints.
- Concrete anchor locations noted as "MAX. ON CENTER" must be adjusted to maintain the min. edge distance to mortar joints, additional concrete anchors may be required to ensure the "MAX. ON CENTER" dimension are not exceeded.
- Concrete anchor table:

ANCHOR TYPE	ANCHOR SIZE	MIN. EMBEDMENT	MIN. CLEARANCE TO MASONRY EDGE	MIN. CLEARANCE TO ADJACENT ANCHOR
ITW TAPCON®	3/16"	1-1/4"	3"	1-1/2"
ITW TAPCON®	1/4"	1-1/4"	2"	4"
ELCO ULTRACON®	1/4"	1-1/4"	1"	4"

WOOD SCREW INSTALLATION NOTES:

- Maintain a minimum 5/8" edge distance, 1" end distance, & 1" o.c. spacing of wood screws to prevent the splitting of wood.

Documents Prepared By: **Lyndon F. Schmidt**
 P.E. No. 43409

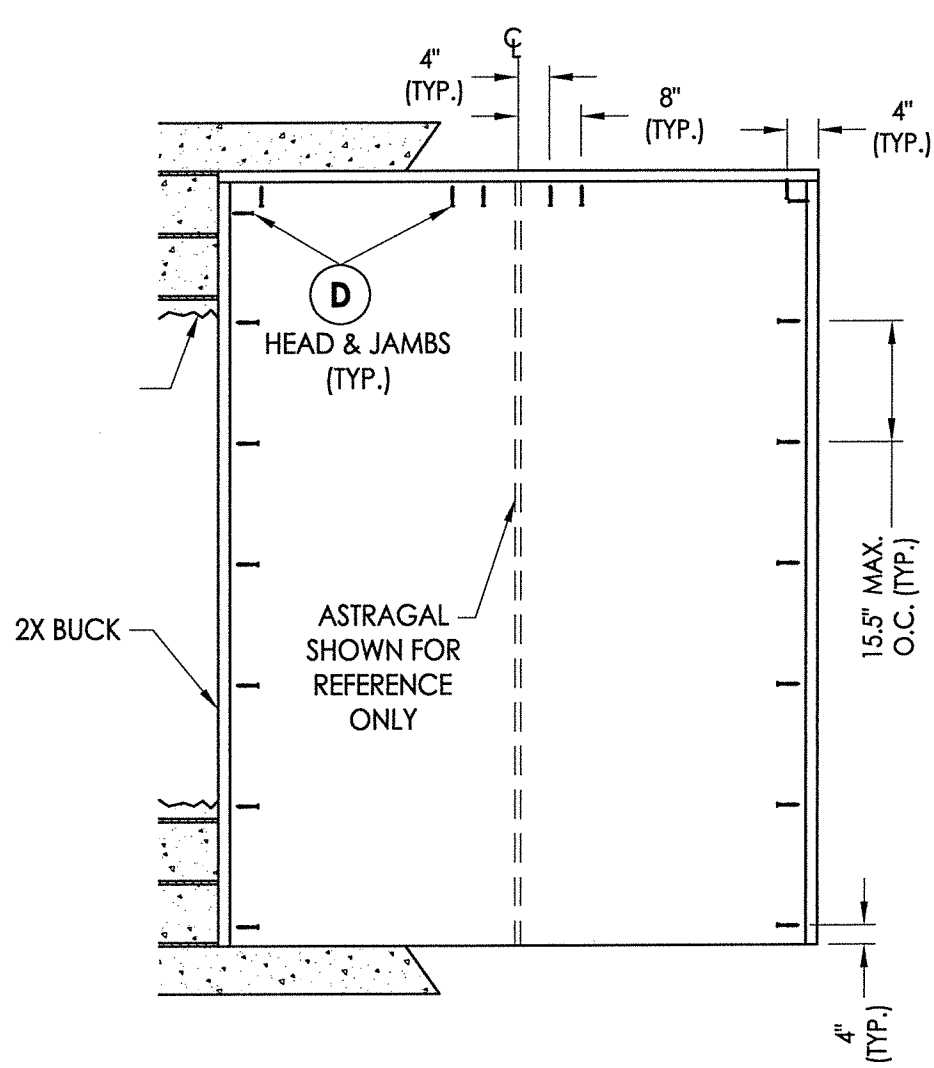
RW BUILDING CONSULTANTS, INC.
 P.O. Box 230, Valrico, FL 33595
 Phone No.: 813.659.9197
 FBPE C.A. No. 9813

PRODUCT: WORLDWIDE DOOR COMPONENTS
 PART OR ASSEMBLY: BUCK AND FRAME ANCHORING

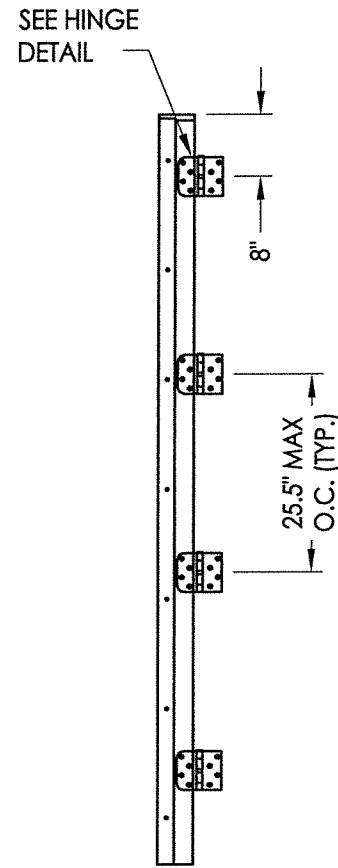
NO.	DATE	REVISIONS
5	7/24/19	ADD COMP. BUILDERS ED. FRAME
4	12/17/18	REVISED GENERAL NOTES
3	9/22/17	UPDATE TO 6TH ED. (2017) FBC
2	2/07/17	REVISE 4EVER JAMB SECTION
1	2/23/15	UPDATE TO 5TH ED. (2014) FBC
		BY

DATE: 11/07/11
 SCALE: N.T.S.
 DWG. BY: JK
 CHK. BY: LFS
 DRAWING NO.: FL-14969.1
 SHEET 5 OF 7

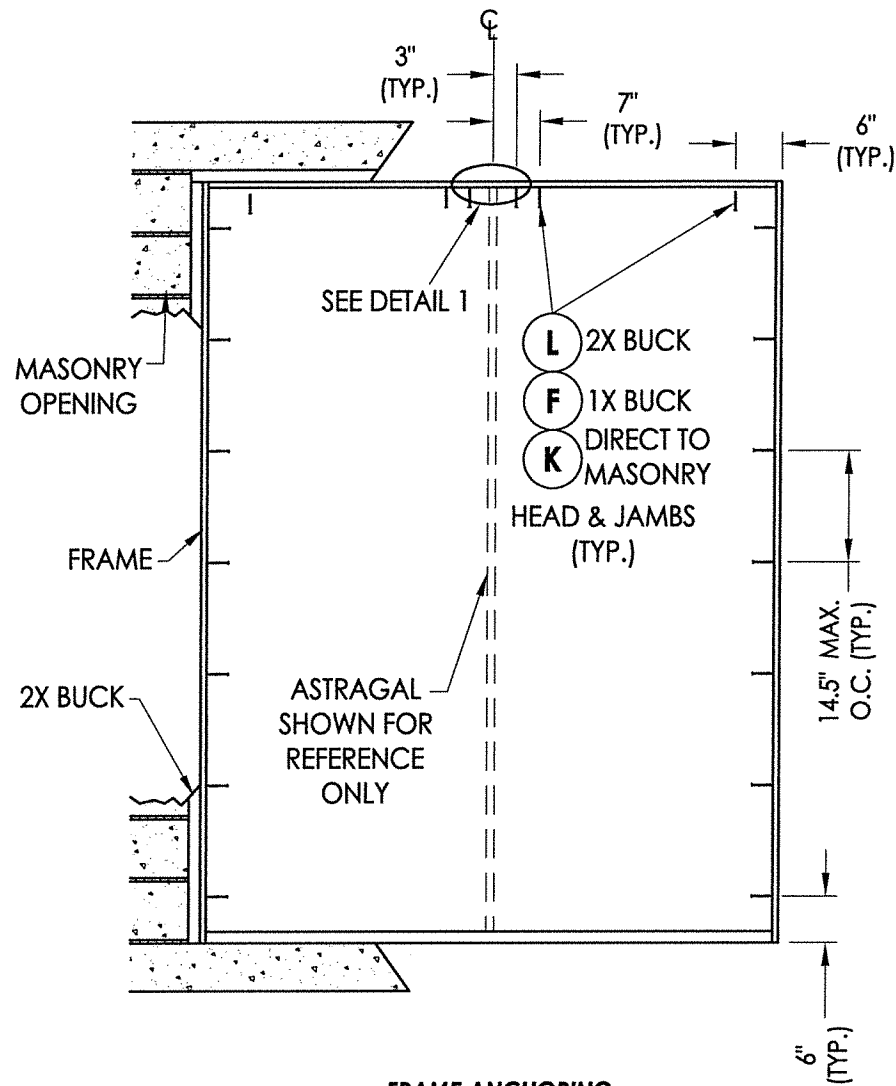
R:\Clients\Worldwide Door PERMANENT\A - Florida Product Approval\FL-14969\C - Drawings\FL-14969 (2017) R\FL-14969.1-2.dwg, 6.1



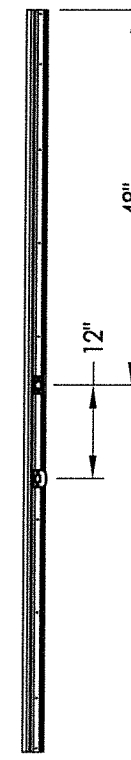
BUCK ANCHORING



HINGE JAMB



FRAME ANCHORING
Masonry construction



ASTRAGAL

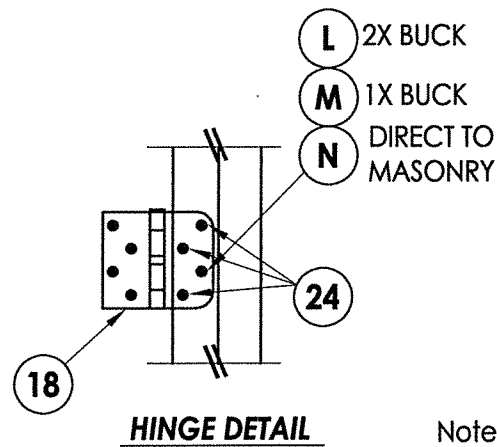
CONCRETE ANCHOR NOTES:

1. Concrete anchor locations at the corners may be adjusted to maintain the min. edge distance to mortar joints.
2. Concrete anchor locations noted as "MAX. ON CENTER" must be adjusted to maintain the min. edge distance to mortar joints, additional concrete anchors may be required to ensure the "MAX. ON CENTER" dimension are not exceeded.
3. Concrete anchor table:

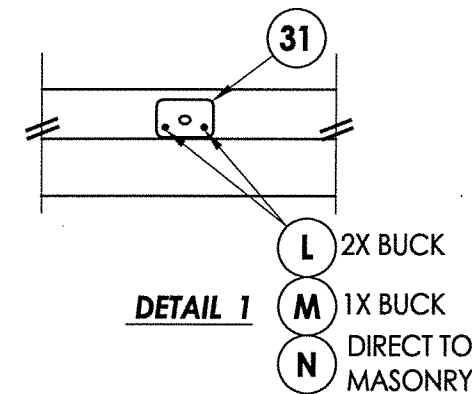
ANCHOR TYPE	ANCHOR SIZE	MIN. EMBEDMENT	MIN. CLEARANCE TO MASONRY EDGE	MIN. CLEARANCE TO ADJACENT ANCHOR
ITW TAPCON®	3/16"	1-1/4"	3"	1-1/2"
ITW TAPCON®	1/4"	1-1/4"	2"	4"
ELCO ULTRACON®	1/4"	1-1/4"	1"	4"

WOOD SCREW INSTALLATION NOTES:

1. Maintain a minimum 5/8" edge distance, 1" end distance, & 1" o.c. spacing of wood screws to prevent the splitting of wood.



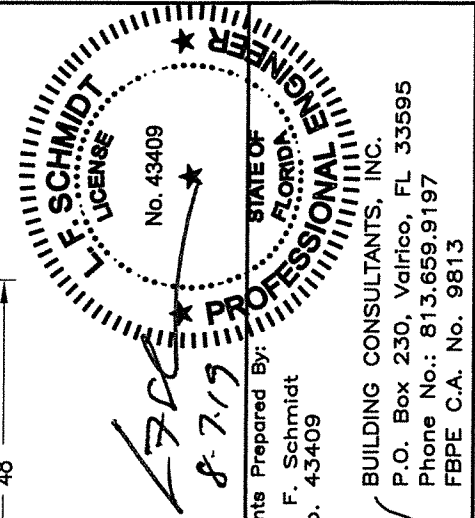
HINGE DETAIL



DETAIL 1

Note:

See separate Side-Hinged Door Product Approval for door construction details not shown, including lock hardware, astragal, hinge and threshold connections.



Documents Prepared By:
Lyndon F. Schmidt
P.E. No. 43409

R.W. BUILDING CONSULTANTS, INC.
P.O. Box 230, Vairico, FL 33595
Phone No.: 813.659.9197
FBPE C.A. No. 9813

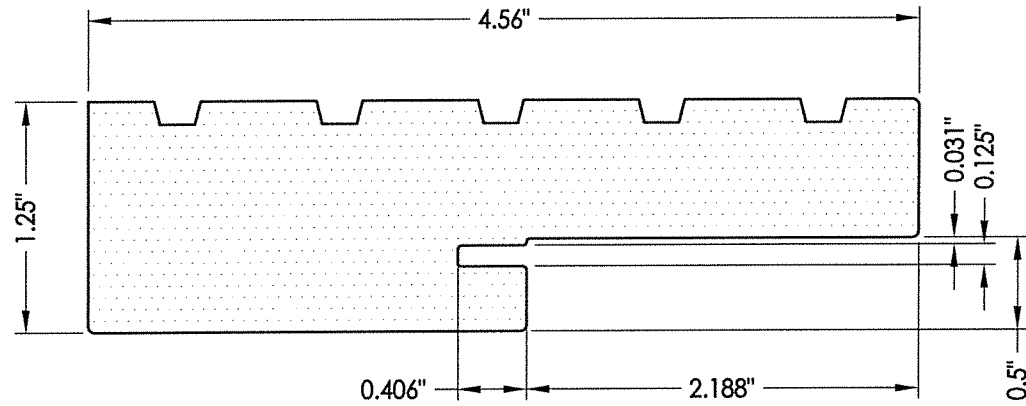
PRODUCT: WORLDWIDE DOOR COMPONENTS
PART OR ASSEMBLY: BUCK AND FRAME ANCHORING

NO.	DATE	BY	REVISIONS
5	7/24/19	LFS	ADD COMP. BUILDERS ED. FRAME
4	12/17/18	LFS	REVISED GENERAL NOTES
3	9/22/17	LFS	UPDATE TO 6TH ED. (2017) FBC
2	2/07/17	LFS	REVISE 4-EVER JAMB SECTION
1	2/23/15	LFS	UPDATE TO 5TH ED. (2014) FBC

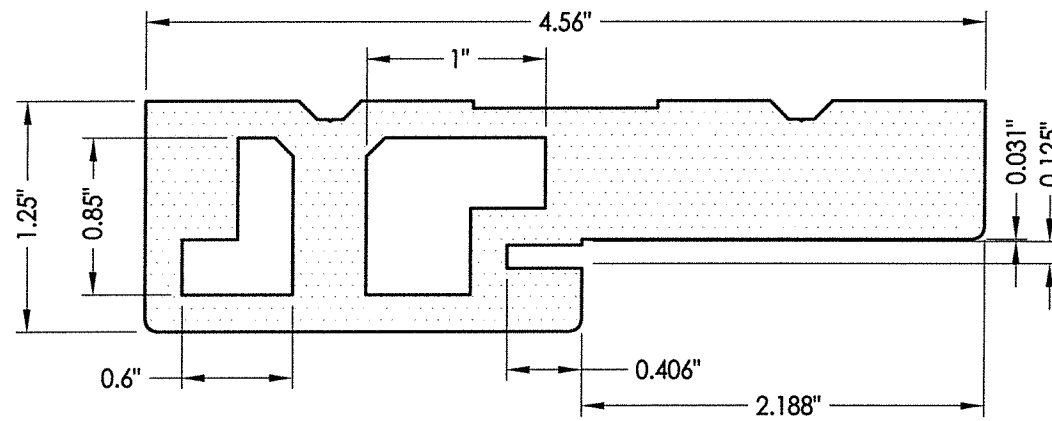
DATE: 11/07/11
SCALE: N.T.S.
DWG. BY: JK
CHK. BY: LFS
DRAWING NO.: FL-14969.1
SHEET 6 OF 7

BILL OF MATERIALS

ITEM #	DESCRIPTION	MATERIAL
A	1X BUCK (SG >= 0.55)	WOOD
B	2X BUCK (SG >= 0.55)	WOOD
C	1/4" MAX. SHIM SPACE	-
D	1/4" X 2-3/4" PFH ELCO OR ITW CONCRETE SCREW	STEEL
E	MASONRY - 3,000 PSI MIN. CONCRETE CONFORMING TO ACI 301 OR HOLLOW BLOCK CONFORMING TO ASTM C90	CONCRETE
F	1/4" X 3-3/4" PFH ELCO OR ITW CONCRETE SCREW	STEEL
K	1/4" X 3-1/4" PFH ELCO OR ITW CONCRETE SCREW	STEEL
L	#10 X 2-1/2" PFH WOOD SCREW (1.15" MIN. EMBEDMENT)	STEEL
M	3/16" X 3-1/4" PFH ITW CONCRETE SCREW	STEEL
N	3/16" X 2-3/4" PFH TW CONCRETE SCREW	STEEL
1	HEAD & SIDE JAMB (4Ever Frame)	COMPOSITE
2	SIDE JAMB (4Ever Frame - Composite Builders Edition)	COMPOSITE
7	WEATHERSTRIP (WORLDWIDE)	FOAM
22	DEADBOLT STRIKE PLATE	STEEL
23	LATCH STRIKE PLATE	STEEL
24	#9 X 3/4" PFH SMS	STEEL
31	ASTRAGAL SHOOTBOLT STRIKE PLATE	STEEL



1 HEAD & SIDE JAMB
4Ever Frame



2 SIDE JAMB
4Ever Frame
Composite Builders Edition

LFS
 8.7.19

Documents Prepared By:
 Lyndon F. Schmidt
 P.E. No. 43409

R.W.
 BUILDING CONSULTANTS, INC.
 P.O. Box 230, Valrico, FL 33595
 Phone No.: 813.659.9197
 FBPE C.A. No. 9813

PRODUCT: WORLDWIDE DOOR COMPONENTS
 PART OR ASSEMBLY: BILL OF MATERIALS & COMPONENTS

NO.	DATE	REVISIONS	BY
5	7/24/19	ADD COMP. BUILDERS ED. FRAME	LFS
4	12/17/18	REVISED GENERAL NOTES	LFS
3	9/22/17	UPDATE TO 6TH ED. (2017) FBC	LFS
2	2/07/17	REVISE 4EVER JAMB SECTION	LFS
1	2/23/15	UPDATE TO 5TH ED. (2014) FBC	LFS

DATE: 11/07/11

SCALE: N.T.S.

DWG. BY: JK

CHK. BY: LFS

DRAWING NO.:
FL-14969.1

SHEET 7 OF 7