

R W Building Consultants, Inc.

Consulting and Engineering Services for the Building Industry

P.O. Box 230 Valrico, FL 33595 Phone 813.659.9197

Florida Board of Professional Engineers Certificate of Authorization No. 9813

Product Evaluation Report

Report No.: FL-14969.1

Date: November 7, 2011

Product Category	Sub Category	Manufacturer	Product Name
Exterior Doors	Exterior Doors Components	Worldwide Door Components, Inc. 5017 N. Coolidge Ave. Tampa, FL 33614 Phone 813.870.0003	"4 EVER JAMBS" Composite Door Jamb Inswing / Outswing "Impact"

Scope: Product Evaluation report issued by R W Building Consultants, Inc. & Lyndon F. Schmidt, P.E. (System ID # 1998) for Worldwide Door Components, Inc., based on Rule Chapter No. 9N-3, Method 1d of the State of Florida Product Approval, Dept. of Community Affairs - Florida Building Commission.

RW Building Consultants and Lyndon F. Schmidt, P.E. do not have nor will acquire financial interest in the company manufacturing or distributing the product or in any other entity involved in the approval process of the product named herein.

Limitations:

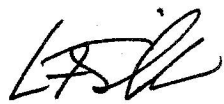
- This product has been evaluated and is in compliance with the 2010 Florida Building Code (FBC) structural requirements excluding the "High Velocity Hurricane Zone".
- Product anchors shall be as listed and spaced as shown on details. Anchor embedment to base material shall be beyond wall dressing or stucco.
- When used in areas requiring wind borne debris protection, this product complies with Section 1609.1.2 of the FBC and does not require an impact resistant covering. This product meets missile level "D" and includes Wind Zone 4 as defined in ASTM E1996.
- This "IMPACT" door jamb, as a component, is to be used as a substitute to a similar door jamb in an impact approved (complies with Section 1609.1.2 of the FBC) door system possessing a current Florida Statewide Product Approval.
- The design pressure of the assembly shall be the lesser of the design pressure for the door jamb shown in this approval or the design pressure of the door assembly used in conjunction with this approval.
- The maximum frame size of the door assembly shall be the lesser of the maximum frame size stated in this approval or the maximum frame size of the door assembly approval used in conjunction with this approval.
- Site conditions that deviate from the details of drawing FL-14969.1 require further engineering analysis by a licensed engineer or registered architect
- See drawing FL-14969.1 for size and design pressure limitations.

Supporting Documents:

1. Test Report No. TEL 01700413	Test Standard ASTM E 330-02 ASTM E 1886-05/1996-09	Testing Laboratory Testing Evaluation Laboratory	Signed by Lyndon F. Schmidt, P.E.
TEL 01700389A	ASTM D 635-03	Testing Evaluation Laboratory	Lyndon F. Schmidt, P.E.
TEL 01700389B	ASTM D 2843-99(2004)	Testing Evaluation Laboratory	Lyndon F. Schmidt, P.E.
TEL 01700389C	ASTM D 1929-96(2000)	Testing Evaluation Laboratory	Lyndon F. Schmidt, P.E.
2. Drawing No. No. FL-14969.1	Prepared by RW Building Consultants, Inc. (CA #9813)		Signed & Sealed by Lyndon F. Schmidt, P.E.
3. Calculations Anchoring	Prepared by RW Building Consultants, Inc. (CA #9813)		Signed & Sealed by Lyndon F. Schmidt, P.E.

4. Quality Assurance

Certificate of Participation issued by National Accreditation and Management Institute, certifying that Worldwide Door Components, Inc. is manufacturing products within a quality assurance program that complies with ISO/IEC 17020 and Guide 53.


Lyndon F. Schmidt, P.E.
FL PE No. 43409
11/7/2011



[HOME](#) | [ABOUT DBPB](#) | [CONSUMER DIVISIONS](#) | [CONTACT US](#)

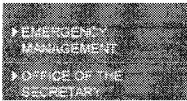


[BCIS Home](#) | [Log In](#) | [User Registration](#) | [Hot Topics](#) | [Submit Surcharge](#) | [Stats & Facts](#) | [Publications](#) | [FBC Staff](#) | [BCIS Site Map](#) | [Links](#) | [Search](#)



Product Approval
USER: Public User

License efficiently. Regulate fairly. [Product Approval Menu](#) > [Product or Application Search](#) > [Application List](#) > **Application Detail**



FL #	FL14969														
Application Type	New														
Code Version	2010														
Application Status	Validated														
Comments															
Archived	<input type="checkbox"/>														
Product Manufacturer	Worldwide Door Components, Inc														
Address/Phone/Email	5017 N. Coolidge Ave Tampa, FL 33614 (813) 870-0003 shay@worldwidedor.com														
Authorized Signature	Vivian Wright rickw@rwblgdconsultants.com														
Technical Representative	Jerry Monts De Oca														
Address/Phone/Email	5017 N Coolidge Ave Tampa, FL 33614 (813) 877-0003 870-0003 jmtampa@worldwidedor.com JERRY														
Quality Assurance Representative															
Address/Phone/Email															
Category	Exterior Doors														
Subcategory	Exterior Door Components														
Compliance Method	Evaluation Report from a Florida Registered Architect or a Licensed Florida Professional Engineer <input type="checkbox"/> Evaluation Report - Hardcopy Received														
Florida Engineer or Architect Name who developed the Evaluation Report	Lyndon F. Schmidt, P.E.														
Florida License	PE-43409														
Quality Assurance Entity	National Accreditation and Management Institute														
Quality Assurance Contract Expiration Date	12/31/2014														
Validated By	Ryan J. King, P.E. <input type="checkbox"/> Validation Checklist - Hardcopy Received														
Certificate of Independence	FL14969_R0_COI_Certificate of Independence.pdf														
Referenced Standard and Year (of Standard)	<table border="0"> <thead> <tr> <th>Standard</th> <th>Year</th> </tr> </thead> <tbody> <tr> <td>ASTM D1929</td> <td>1996</td> </tr> <tr> <td>ASTM D2843</td> <td>1999</td> </tr> <tr> <td>ASTM D635</td> <td>2003</td> </tr> <tr> <td>ASTM E1886</td> <td>2005</td> </tr> <tr> <td>ASTM E1996</td> <td>2009</td> </tr> <tr> <td>ASTM E330</td> <td>2002</td> </tr> </tbody> </table>	Standard	Year	ASTM D1929	1996	ASTM D2843	1999	ASTM D635	2003	ASTM E1886	2005	ASTM E1996	2009	ASTM E330	2002
Standard	Year														
ASTM D1929	1996														
ASTM D2843	1999														
ASTM D635	2003														
ASTM E1886	2005														
ASTM E1996	2009														
ASTM E330	2002														
Equivalence of Product Standards Certified By	Florida Licensed Professional Engineer or Architect FL14969_R0_Equiv_EQUIV OF STDS.pdf														

Sections from the Code

Product Approval Method Method 1 Option D

Date Submitted 11/04/2011

Date Validated 11/07/2011

Summary of Products

FL #	Model, Number or Name	Description
14969.1	a. 4 EVER JAMBS	Composite Door Jambs for use with side hinged entry door panels.
Limits of Use Approved for use in HVHZ: No Approved for use outside HVHZ: Yes Impact Resistant: Yes Design Pressure: N/A Other: See INST 14969.1 for Design Pressure Ratings, any additional use limitations, installation instructions and product particulars.		Installation Instructions FL14969_R0_II_INST_14969.1.pdf Verified By: Lyndon F. Schmidt, P.E. 43409 Created by Independent Third Party: Yes Evaluation Reports FL14969_R0_AE_EVAL_14969.1.pdf Created by Independent Third Party: Yes

[Back](#) [Next](#)

Contact Us :: 1940 North Monroe Street, Tallahassee FL 32399

The State of Florida is an AA/EEO employer. Copyright 2007-2010 State of Florida. :: [Privacy Statement](#) :: [Accessibility Statement](#) :: [Refund Statement](#)

Under Florida law, e-mail addresses are public records. If you do not want your e-mail address released in response to a public-records request, do not send electronic mail to this entity. Instead, contact the office by phone or by traditional mail. If you have any questions regarding DBPR's ADA web accessibility, please contact our Web Master at webmaster@dbpr.state.fl.us.

Product Approval Accepts:



WORLDWIDE Door Components

5017 N. Coolidge
Tampa, FL 33614

"4 EVER JAMBS" COMPOSITE DOOR JAMB INSWING / OUTSWING "IMPACT"

GENERAL NOTES

1. This product has been evaluated and is in compliance with the 2010 Florida Building Code (FBC) structural requirements excluding the "High Velocity Hurricane Zone" (HVHZ).
2. Product anchors shall be as listed and spaced as shown on details. Anchor embedment to base material shall be beyond wall dressing or stucco.
3. When used in areas requiring wind borne debris protection this product complies with Section 1609.1.2 of the FBC and does not require an impact resistant covering. This product meets missile level "D" and includes Wind Zone 4 as defined in ASTM E1996.
4. This "IMPACT" door jamb, as a component, is to be used as a substitute to a similar door jamb in an impact approval (complies with Section 1609.1.2 of the FBC) door system possessing a current Florida Statewide Product Approval.
5. The design pressure of the assembly shall be the lesser of the design pressure for the door jamb shown in this approval or the design pressure of the door assembly used in conjunction with this approval.
6. The maximum frame size of the door assembly shall be lesser of the maximum frame size stated in this approval or the maximum frame size of door assembly approval used in conjunction with this approval.
7. Site conditions that deviate from the details of this drawing require further engineering analysis by a licensed engineer or registered architect.



4 EVER JAMB

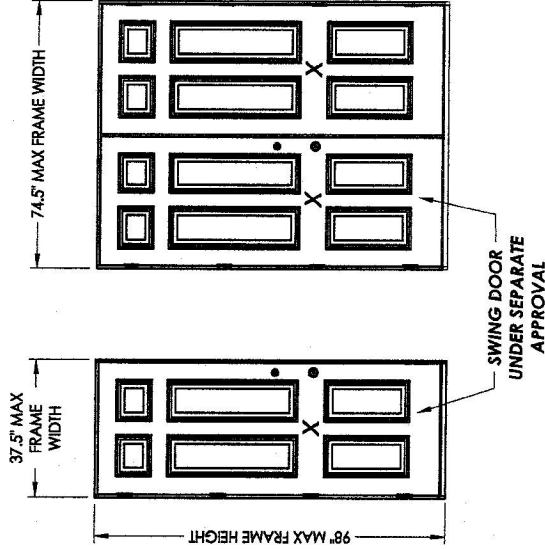


TABLE OF CONTENTS	
SHEET #	DESCRIPTION
1	Typical elevations, design pressures & general notes
2	Elevations
3	Horizontal cross sections
4	Vertical cross sections
5	Buck and frame anchoring
6	Buck and frame anchoring
7	Bill of materials and components

CONFIGURATION	MAX. FRAME DIMENSION	DESIGN PRESSURE (PSF) INSWING		DESIGN PRESSURE (PSF) OUTSWING	
		POSITIVE	NEGATIVE	POSITIVE	NEGATIVE
X	37.50" x 98.00"	+60.0	-65.0	+60.0	-60.0
XX	74.50" x 98.00"	+50.0	-55.0	+50.0	-50.0

Documents Prepared By: **R.M.** BUILDING CONSULTANTS, INC.
P.O. Box 230 Vero Beach, FL 33595
Phone No. 813.659.8187
Florida Board of Professional Engineers
Certificate Of Authorization No. 9813
11.7.11

Lyndon F. Schmidt, P.E. No. 04198

PRODUCT: WORLDWIDE DOOR COMPONENTS

PART OR ASSEMBLY: TYPICAL ELEVATION, DESIGN PRESSURES & GENERAL NOTES

NO.	DATE	REVISIONS

DATE: 11/07/11
SCALE: N.T.S.
DWG. BY: JK
CHK. BY: LFS

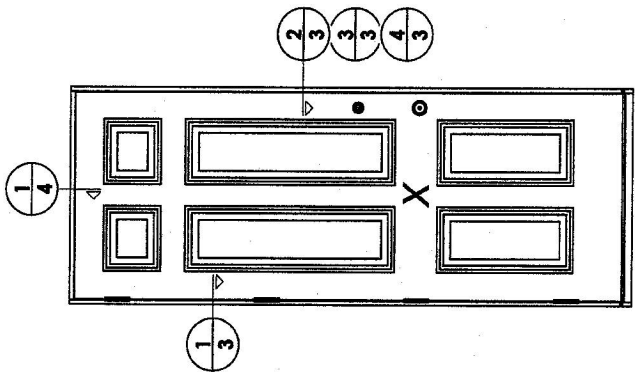
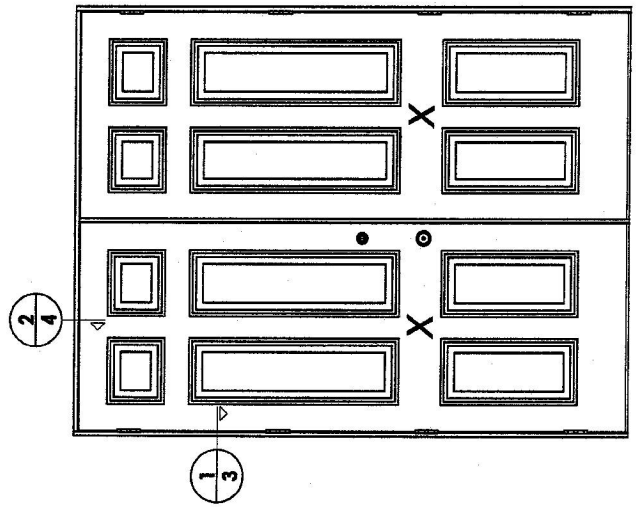
DRAWING NO.: FL-14969.1
SHEET 1 OF 7

R.W. BUILDING CONSULTANTS, INC.
 P.O. Box 230 Vero Beach, FL 33595
 Phone No.: 813.659.9197
 Florida Board of Professional Engineers
 Certificate of Authorization No. 9813
 Lyndon F. Schmidt, P.E. No. 54158
 11-7-11

PRODUCT: WORLDWIDE DOOR COMPONENTS
 PART OR ASSEMBLY: ELEVATIONS
 ELEVATIONS

NO.	DATE	BY

REVISIONS
 DATE: 11/07/11
 SCALE: N.T.S.
 DWG. BY: JK
 CHK. BY: LFS
 DRAWING NO.: FL-14969.1
 SHEET 2 OF 7

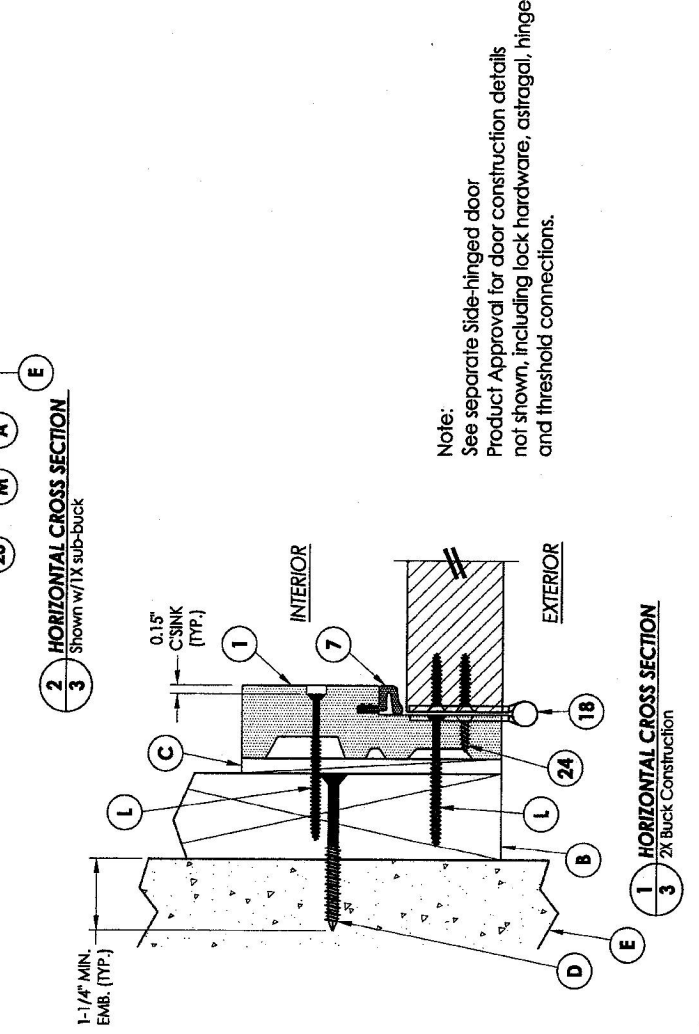
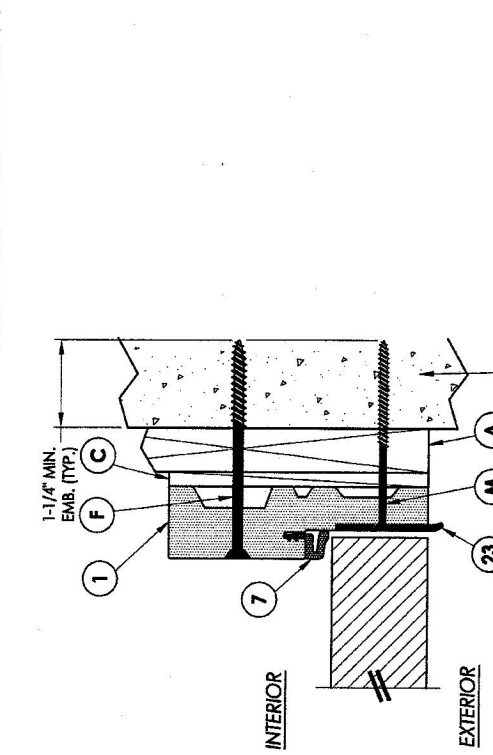
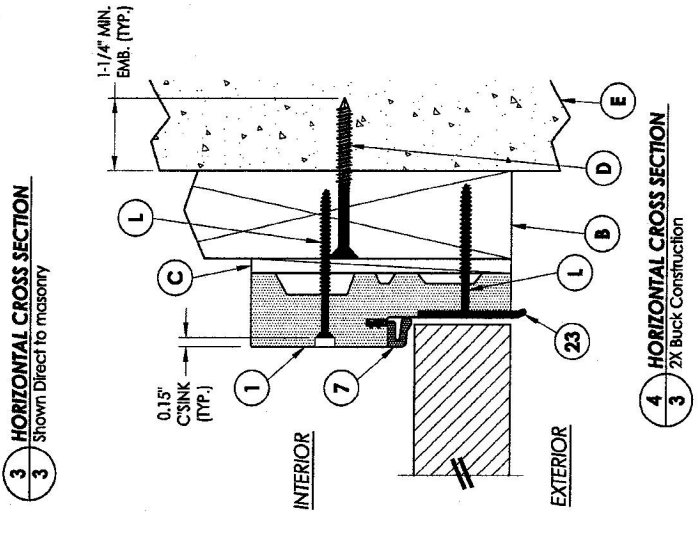
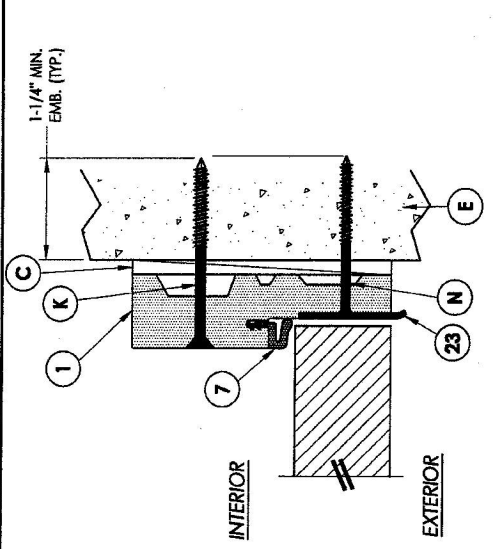


© 2011 R.W. BUILDING CONSULTANTS, INC.

DATE: 11/07/11	NO.	DATE	REVISIONS
SCALE: N.T.S.			
DWG. BY: JK			
CHK. BY: LFS			
DRAWING NO.: FL-14989.1			
SHEET 3 OF 7			

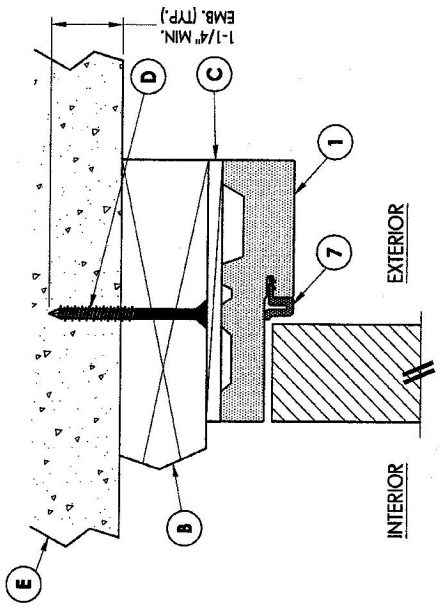
PRODUCT: WORLDWIDE DOOR COMPONENTS
 PART OR ASSEMBLY: HORIZONTAL CROSS SECTIONS
 BY:

Documents Prepared By: *R.W.*
 BUILDING CONSULTANTS, INC.
 P.O. Box 230 Venice, FL 33595
 Phone No.: 813.659.9197
 Florida Board of Professional Engineers
 Certificate of Authorization No. 9813
 Lyndon F. Schmidt, P.E. No. 54156
 11-11

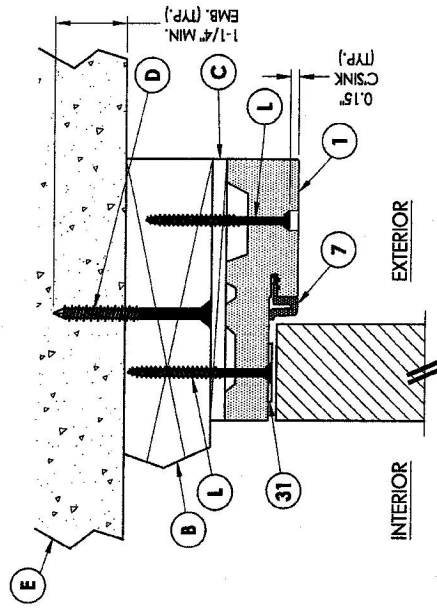


Note:
 See separate Side-hinged door
 Product Approval for door construction details
 not shown, including lock hardware, astragal, hinge
 and threshold connections.

Note:
 See separate side-hinged door
 Product Approval for door construction details
 not shown, including lock hardware, astragal, hinge
 and threshold connections.



1 VERTICAL CROSS SECTION
4 2X Buck Construction- Single door



2 VERTICAL CROSS SECTION
4 2X Buck Construction- Double door

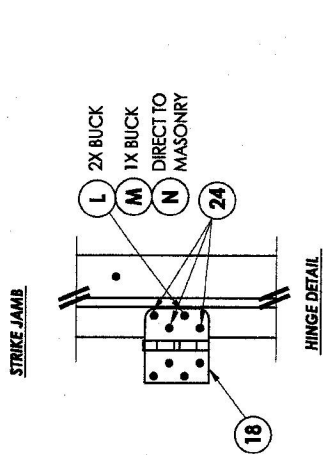
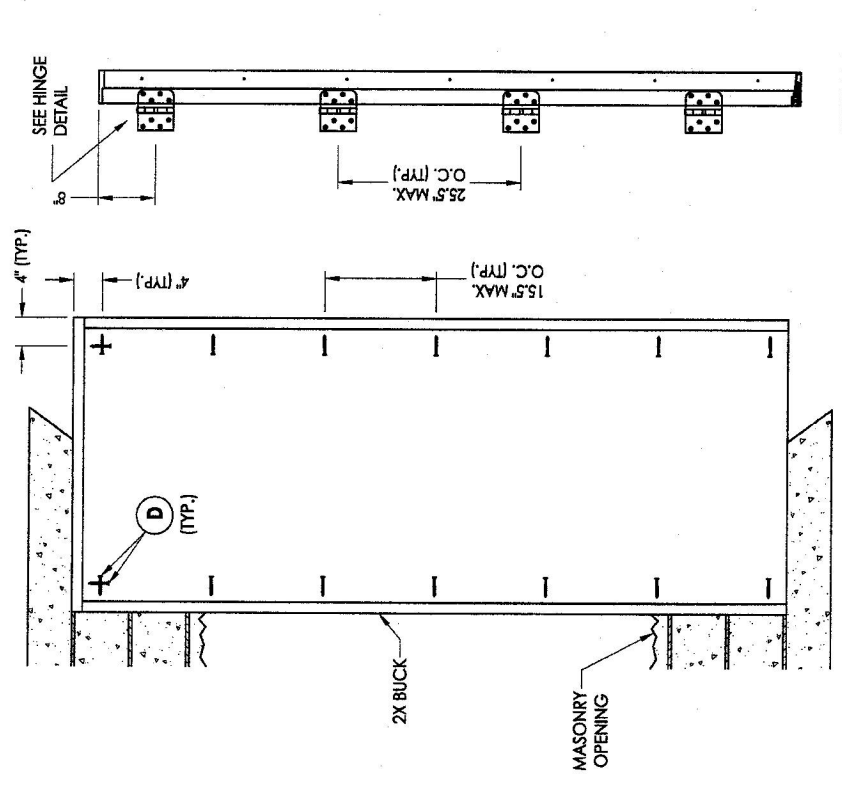
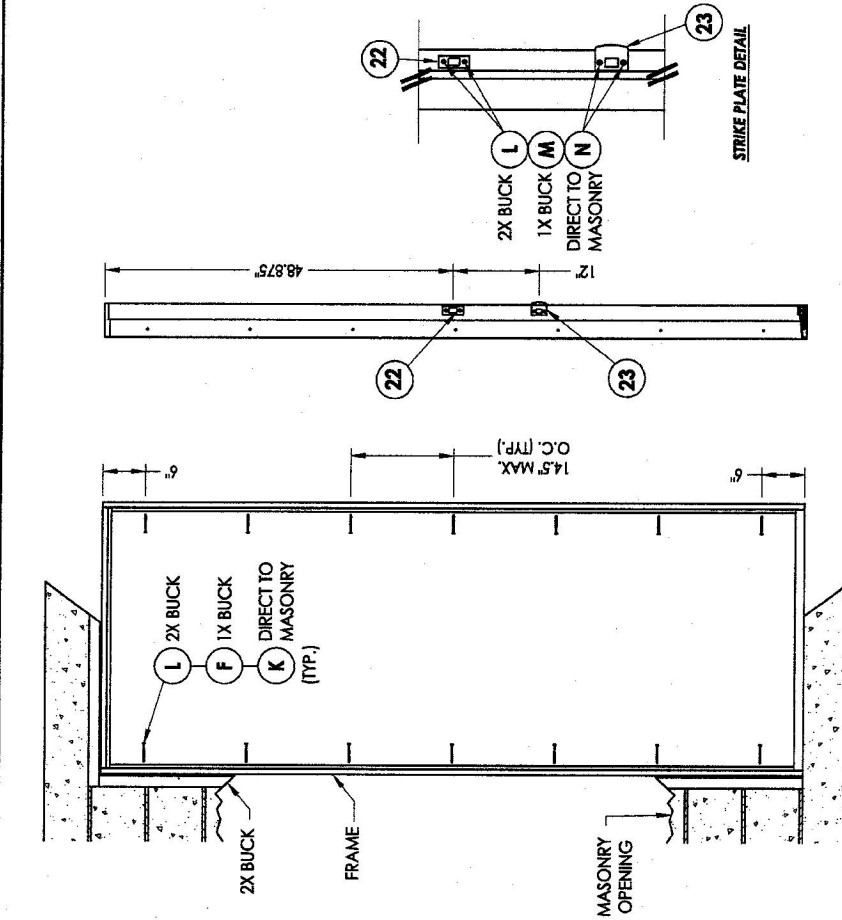
DATE: 11/07/11 SCALE: N.T.S. DWG. BY: JK CHK. BY: LFS DRAWING NO.: FL-14969.1 SHEET 4 OF 7		REVISIONS NO. DATE BY
PRODUCT: WORLDWIDE DOOR COMPONENTS PART OR ASSEMBLY: VERTICAL CROSS SECTIONS		BY

Documents Prepared By:
 R.M. BUILDING CONSULTANTS, INC.
 P.O. Box 230 Vero Beach, FL 33595
 Phone No.: 813.859.9197
 Florida Board of Professional Engineers
 Certificate of Authorization No. 9813
 Lyndon F. Schmidt, P.E. No. 54158
 11-7-11

BUILDING CONSULTANTS, INC.
 P.O. Box 250 Venice FL 33595
 Phone No.: 813.858.9187
 Florida Board of Professional Engineers
 Certificate Of Authorization No. 9813
 Lyndon F. Schmidt, P.E. No. 54158
 11/21/11

PRODUCT: WORLDWIDE DOOR COMPONENTS
 PART OR ASSEMBLY: BUCK AND FRAME ANCHORING
 REVISIONS
 NO. DATE BY

DATE: 11/07/11
 SCALE: N.T.S.
 DWG. BY: JK
 CHK. BY: LFS
 DRAWING NO.: FL-14969.1
 SHEET 5 OF 7



- CONCRETE ANCHOR NOTES:**
1. Substitution of equal concrete anchors from a different supplier may have different edge distance and center distance requirements.
 2. Concrete anchor locations at the corners may be adjusted to maintain the min. edge distance to mortar joints. If concrete anchor locations noted as "MAX. ON CENTER" must be adjusted to maintain the min. edge distance to mortar joints, additional concrete anchors may be required to ensure the "MAX. ON CENTER" dimensions are not exceeded.
 3. Concrete anchor table:

ANCHOR TYPE	ANCHOR SIZE	MIN. EMBEDMENT	MIN. CLEARANCE TO MASONRY EDGE	MIN. CLEARANCE TO ADJACENT ANCHOR
ITW	1/4"	1-1/4"	2-1/2"	3"
ELCO	1/4"	1-1/4"	1"	4"
ITW	3/16"	1-1/4"	2-5/8"	2-1/4"

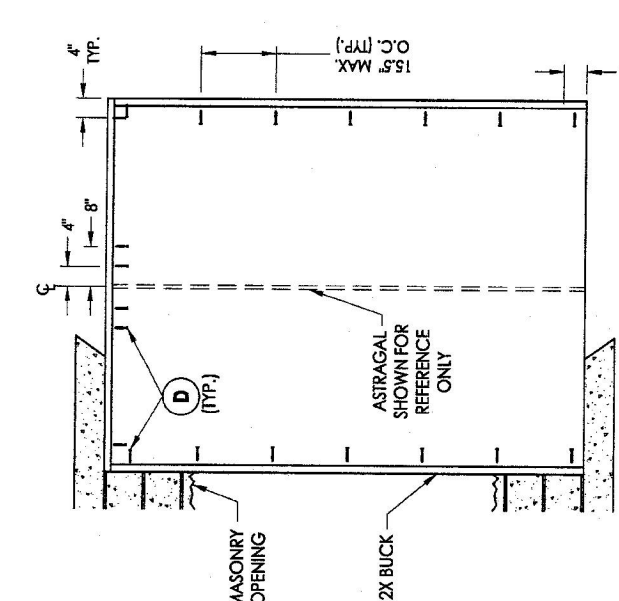
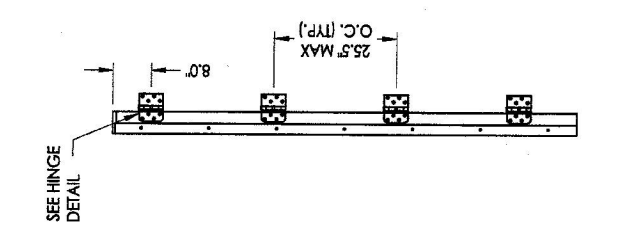
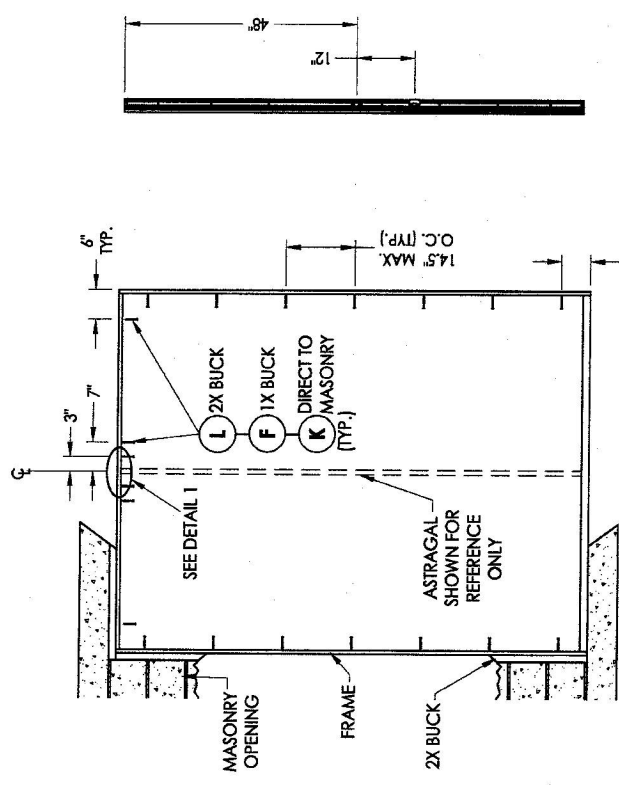
Note:
 See separate Side-hinged door Product Approval for door construction details not shown, including lock hardware, astragal, hinge and threshold connections.

BUILDING CONSULTANTS, INC.
 P.O. Box 230 Venice FL 33595
 Phone No.: 813.659.9197
 Florida Board of Professional Engineers
 Certificate Of Authorization No. 9813
 Lyndon F. Schmidt, P.E. No. 43408
 11-7-11

Documents Prepared By:
 PRODUCT: WORLDWIDE DOOR COMPONENTS
 PART OR ASSEMBLY: BUCK AND FRAME ANCHORING

NO.	DATE	BY

REVISIONS
 DATE: 11/07/11
 SCALE: N.T.S.
 DWG. BY: JK
 CHK. BY: LFS
 DRAWING NO.: FL-14969.1
 SHEET 6 OF 7

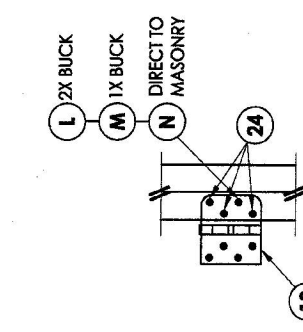
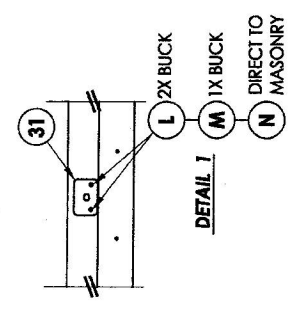


ASTRAGAL

FRAME ANCHORING
Masonry construction

HINGE JAMB

BUCK ANCHORING

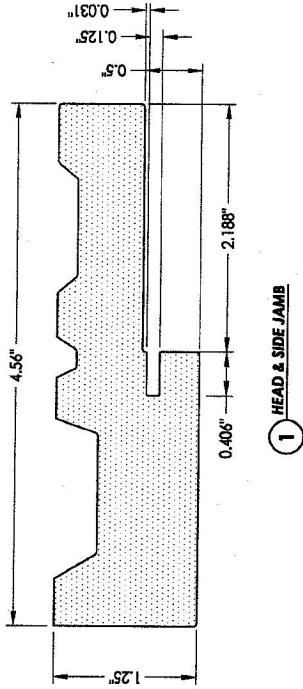


- CONCRETE ANCHOR NOTES:**
- Substitution of equal concrete anchors from a different supplier may have different edge distance and center distance requirements.
 - Concrete anchor locations at the corners may be adjusted to maintain the min. edge distance to mortar joints. Concrete anchor locations noted as "MAX. ON CENTER" must be adjusted to maintain the min. edge distance to mortar joints, additional concrete anchors may be required to ensure the "MAX. ON CENTER" dimension are not exceeded.
 - Concrete anchor table:

ANCHOR TYPE	ANCHOR SIZE	MIN. EMBEDMENT	MIN. CLEARANCE TO MASONRY EDGE	MIN. CLEARANCE TO ADJACENT ANCHOR
ITW	1/4"	1-1/4"	2-1/2"	3"
ELCO	1/4"	1-1/4"	1"	4"
ITW	3/16"	1-1/4"	2-5/8"	1-1/4"

Note:
 See separate Side-hinged door
 Product Approval for door construction details
 not shown, including lock hardware, astragal, hinge
 and threshold connections.

BILL OF MATERIALS		
ITEM #	DESCRIPTION	MATERIAL
A	1X BUCK SG >= 0.55	WOOD
B	2X BUCK SG >= 0.55	WOOD
C	1/4" MAX. SHIM SPACE	
D	1/4" X 2-3/4" ELCO OR ITW CONCRETE SCREW	STEEL
E	MASONRY - 3,192 PSI MIN. CONCRETE CONFORMING TO ACI 301 OR HOLLOW BLOCK CONFORMING TO ASTM C90	CONCRETE
F	1/4" X 3-3/4" ELCO OR ITW CONCRETE SCREW	STEEL
L	#10 X 2.5" PFH WOOD SCREW	STEEL
K	1/4" X 3-1/4" ELCO OR ITW CONCRETE SCREW	STEEL
M	3/16" X 3-1/4" ITW CONCRETE SCREW	STEEL
N	3/16" X 2-3/4" ITW CONCRETE SCREW	STEEL
T	HEAD AND JAMB	COMPOSITE
7	WEATHER STRIP QEBD650 Q-LON	FOAM
22	DEADBOLT STRIKE PLATE	STEEL
23	LATCH STRIKE PLATE	STEEL
24	#10 X 3/4" PFH SMS	STEEL
31	ASTRAGAL STRIKE PLATE	STEEL



BUILDING CONSULTANTS, INC.
 P.O. Box 230 Vero Beach, FL 33585
 Phone No.: 813.659.9187
 Florida Board of Professional Engineers
 Certificate of Authorization No. 9813
 Linton F. Schmidt, P.E. No. 43409
 11.7.11

Documents Prepared By: *R.W.*
 PRODUCT: **WORLDWIDE DOOR COMPONENTS**
 PART OR ASSEMBLY:

NO	DATE	BY

REVISIONS:

DATE: 11/07/11
 SCALE: N.T.S.
 DWG. BY: JK
 CHK. BY: LFS
 DRAWING NO.: FL-14969.1
 SHEET 7 OF 7